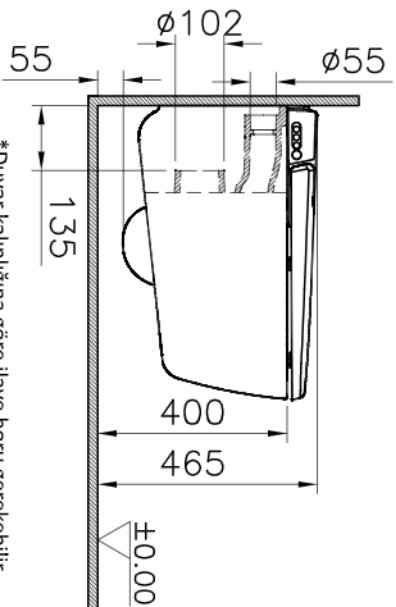
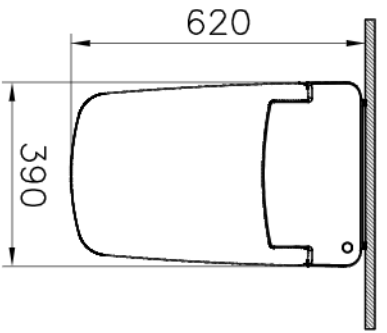
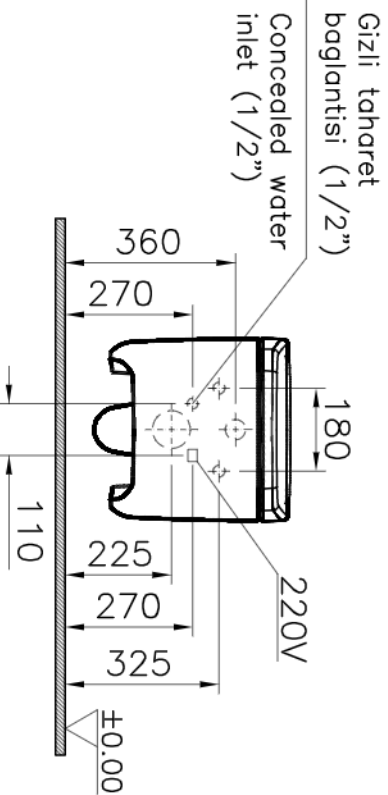
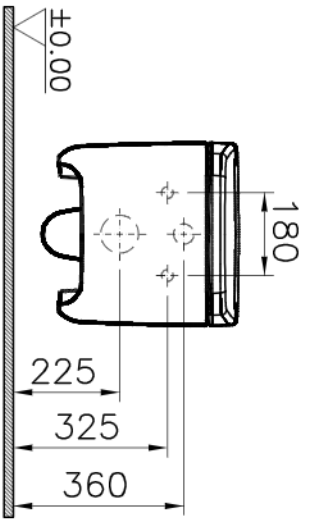


Theoretic Mass(kg)	Revision
Surface Area(dm ²)	A4

Thread	Hole	Shaft
--------	------	-------



* Duvar kalınlığına göre hane boru gerekebilir.
 * Additional pipe may be required due to wall thickness
 * Ein zusätzliches Ablaufrohr ist je nach Wandstärke erforderlich



**PROTOTYPE
DRAWING**

item	Quantity	Part Name	Series	Material	Drawing No	Material	Material Class
1	1	Rim-ex asma klozet		Ceramic	7230-6216	Ceramic	
		the drawing can only be used for the related process. technical copies is strictly prohibited.					

Drawn By	Controlled By	Approved By	Date	Drawing No	Scale
T.TAYYAR	N.BALTAÇI	S.YEDAT SARIĞÖL	12.12.2019	7230	1/20
RS	Description	Date	NAME		

Vitra® | ARTEMA®