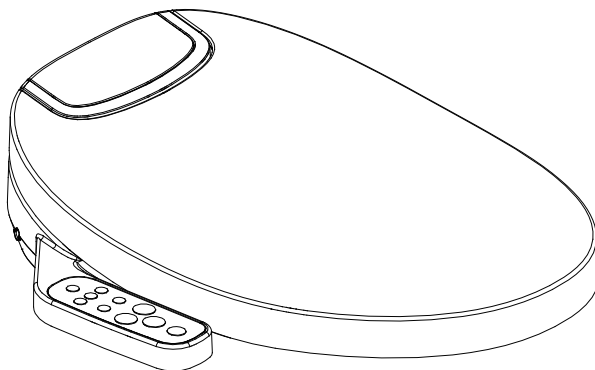


maro
D'Italia 

Where comfort meets elegance.

AQUALET PIAVE DI800



Operating Instruction Manual

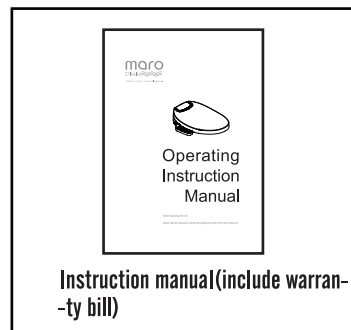
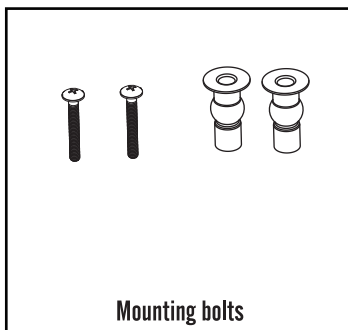
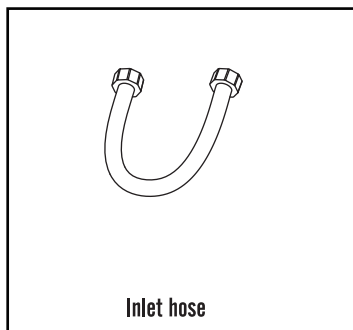
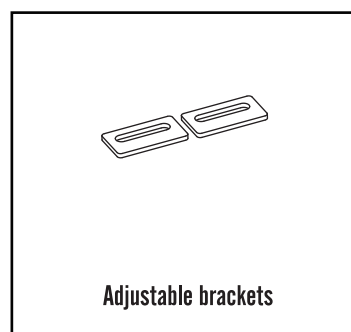
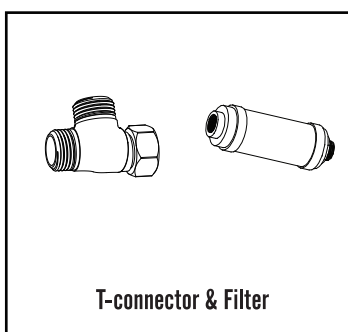
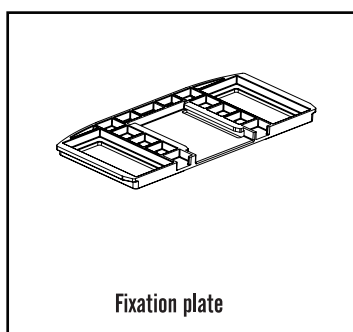
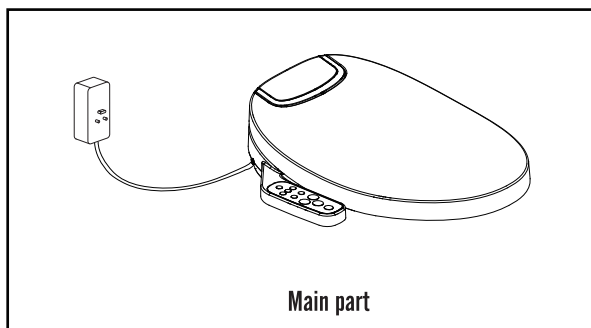
Before operating the unit,

please read this operation manual thoroughly and retain it for future reference.

Content

Package content.....	02
Technical Specification.....	03
Technical drawings & Recommended power and water supply connection.....	04
Safety Precautions.....	05
Before Installation.....	09
Installation.....	10
Functionality test.....	13
List of installation parts.....	14
Side Control Panel Overview.....	15
Rear / Front Operation.....	16
Oscillating wash mode.....	17
Seat heating setting/Dryer operation /Energy save model I-ECO and tips.....	18
Nozzle cleaning.....	19
Cleaning.....	20
Removal.....	21
T-connector cleaning and filter replacement.....	22
Troubleshooting/Notes.....	23
Service Record.....	25
Warranty Card.....	26

Package content



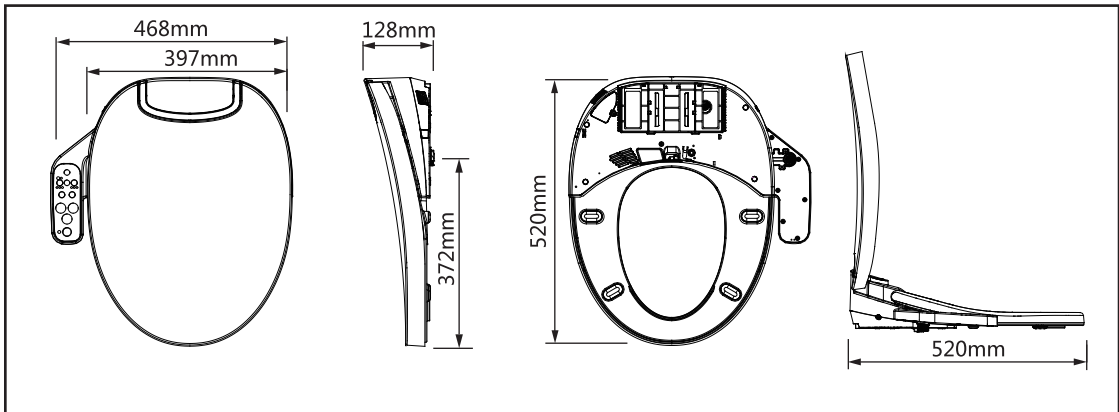
Technical Specification

NAME		AQUALET PIAVE		
MODEL		DI800		
TECHNICAL SPECIFICATION	WASH	REAR WASHING	●	
		FRONT WASHING	●	
		MOVE-OSCILLATING CLEANING	●	
		MOVE-OSCILLATING CLEANING	●	
		WATER PRESSURE CONTROL	5 Settings	
		WATER TEMPERATURE CONTROL	5 Settings	
		NOZZLE POSITION ADJUSTMENT	5 Settings	
	WARM AIR	WARM AIR DRYER	●	
		AIR TEMPERATURE CONTROL	3 Settings	
	SEAT	SEAT HEATING TEMPERATURE CONTROL	5 Settings	
		SOFT CLOSING SEAT AND LID	●	
	HYGIENE	ANTIBACTERIAL NOZZLE CAP	●	
		NOZZLE MANUAL CLEANING	●	
		NOZZLE SELF CLEANING MODE	●	
	ENERGY SAVING	ENERGY-SAVE SETTING	●	
	RATED VOLTAGE		220V~ -240V~	
	RATED FREQUENCY		50Hz	
	MIN.POWER CONSUMPTION		960W	
	MAX.POWER CONSUMPTION		1300W	
	BEST ROOM TEMPERATUE		0°C ~40°C	
	WATER SUPPLY PRESSURE		0.07 MPa ~0.75 MPa	
	WATER SUPPLY TEMPERATURE		3°C ~35°C	
	WATERPROOF RATING		IPX4	
	HEATED WATER	WATER TEMPERA URE	30°C ~41°C	
		POWER CONSUMPTION BY WATER HEATER	1250W	
	HEAT SEAT	SURFACE TEMPERATURE	(Room TEMP) ~41°C	
POWER CONSUMPTION BY SEAT HEATER		50W		
DRYER	AIR TEMPERATURE	(Room TEMP) ~55°C		
	MAXIMUM SPEED OF AIR	≥4m/s		
	POWER CONSUMPTION BY AIR DYIER	160W		
PRODUCT DIMENSION		468(397)X520X128mm		

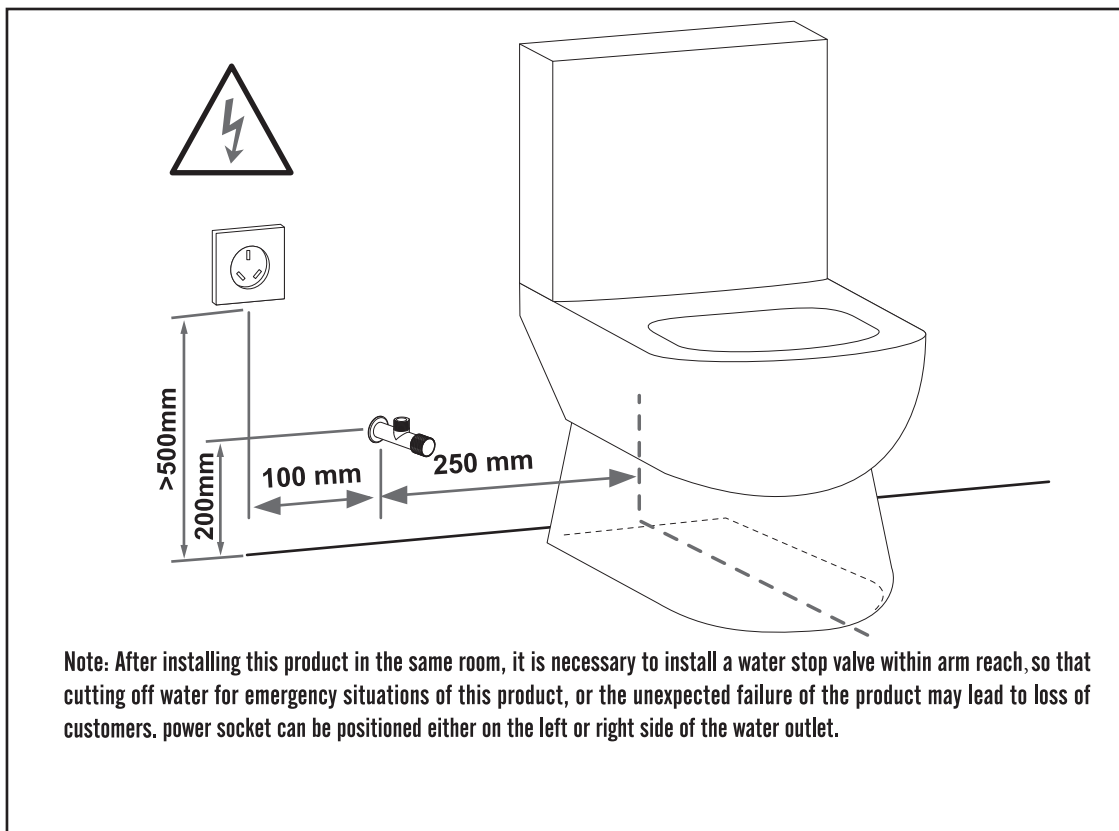
Notes. Rated power: The average power of the product under the condition of 23 ± 2 °C environment temp., 0.2 ± 0.02 MPa water inlet pressure and the 15 ± 0.5 °C water inlet temp., set on the female wash function and then set the water pressure to the 1st fold and set the seat temp., and water temp., to the highest adjustment in turns, Press the STOP button and then set on the female wash and keep for a stable working cycle.

Max power: The max power of the product under the condition of 23 ± 2 °C environment temp., 0.2 ± 0.02 MPa water inlet pressure and the 5 ± 1 °C water inlet temp., set the flow rate, seat temp., and the water temp to the highest adjustment in turns. Use the female wash and keep for a stable working cycle.

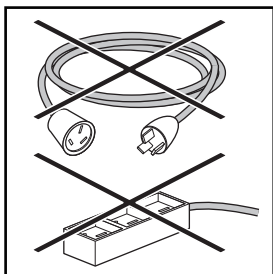
Technical Drawings



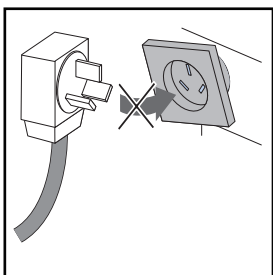
Recommended Power and Water Supply Connection



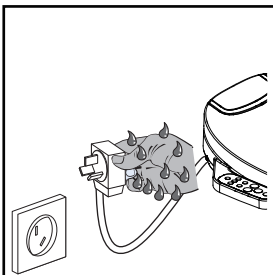
Safety Precautions



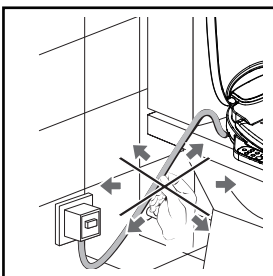
Use the specified power supply AC 220V-240V/50Hz only. Never put too much pressure on the electrical outlet. This may cause a fire or overheating. If the power cord does not suffice, please buy a professional power extension cord.



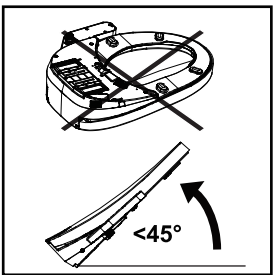
Do not use loose outlets.
(This might cause a fire or an electrical shock.)



Do not touch the power plug with wet hands. This might cause a fire or an electrical shock.



Make sure you operate the plug and wire correctly, otherwise this may lead to fire or electrical shock. To avoid the risk, make sure that only professional staff is entitled to perform the replacement in case of power cord failure.

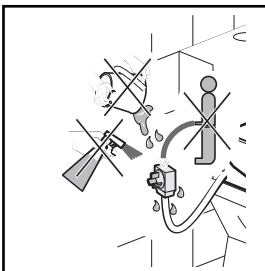


Do not turn the product upside-down.
Do not lift the front of the base part of product by more than 45°.
(This might cause product damage.)

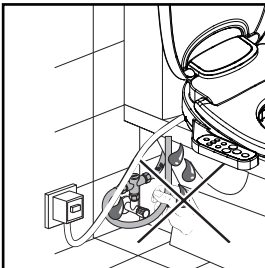
Safety Precautions



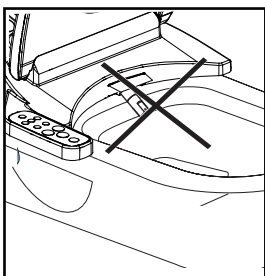
Make sure not to use industrial water, waste water, polluted water or sea water as the supply. This might cause inflammation skin injury.



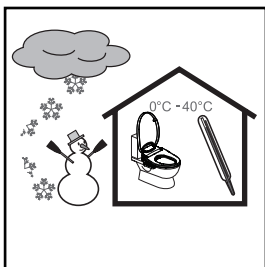
Make sure no splash of water, detergents or urine comes in touch with the power plug. This might cause an electric shock.



Use the attached new hose assembly during your installation, The old hose should not be reused. Do not bend or distort the inlet hose. (This might cause water leakage or performance failure.)

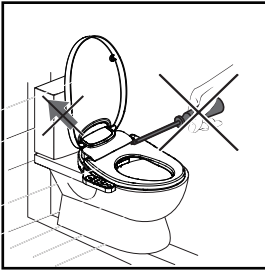


Do not bend or distort the nozzle. (This might cause product damage or injury performance failure.)

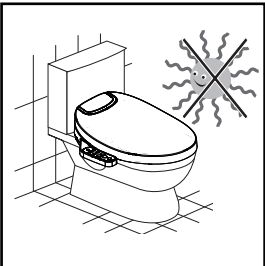


The room temperature where the produce is placed should be above the freezing point. Make sure you set up the right room temperature, otherwise the produce might freeze.

Safety Precautions



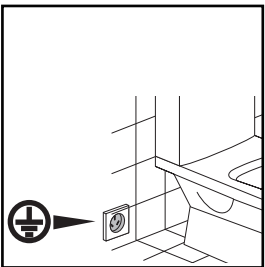
Make sure replacement, repair or removal of the produce is carried out by a qualified service person only. Failing to do so might cause fire or electrical shock.



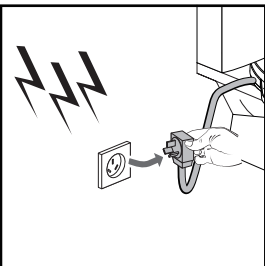
Do not expose the product to direct sunlight.
(This might cause discoloration or skin injury due to unstable temperature.)



Do not place an electric heater near the produce or dispose of any burning materials such as a lit cigarette in the toilet. This may result in fire or produce deformation.

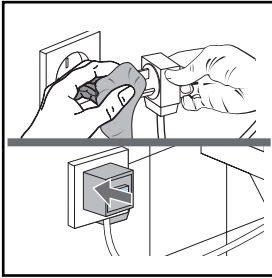


Check if the type C electrical plug is connected to the ground line. Make sure the electrical plug is plugged into an outlet that is properly installed and grounded.
(Electrical power supply should be implemented by a qualified electrician or service technician. Improper use of the grounding plug can result in electric shock.)



Unplug the power plug when thunder occurs.
(Wrong use can result in produce failure or damage of the produce.)

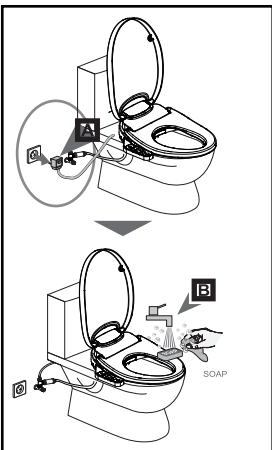
Safety Precautions



Before inserting the power plug into the electrical outlet, use a soft dry cloth to remove dust and other particles from the plug. Insert it into the outlet.



Do not lean on cover.
(This might cause cover damage.)



Pull the power plug out of the electrical outlet before cleaning the unit. Do not splash water directly onto the bidet. Failing to do so might cause an electrical shock.

Before Installation

1. Do not put the product in a room where humidity can exceed 90% RH (relative humidity).
2. Only use specified power supply (AC 220V–240V). Other power supply may cause product failure or product damage.
3. Do not apply power or supply water to the unit until the installation process is complete.
4. The power voltage amounts to 220V–240V. The rated power is 1300W–1550 W. Use wiring and electrical outlet appropriate for this level of power.
5. Use water supply with static pressure of 0.7–7.5 kgf/cm² (0.07–0.075 Mpa).
6. The temperature of the main water supply should be defined from 4–35°C (39.2–95°F).

When using electrical products, especially when children are present, basic safety precautions should always be followed, including the following:

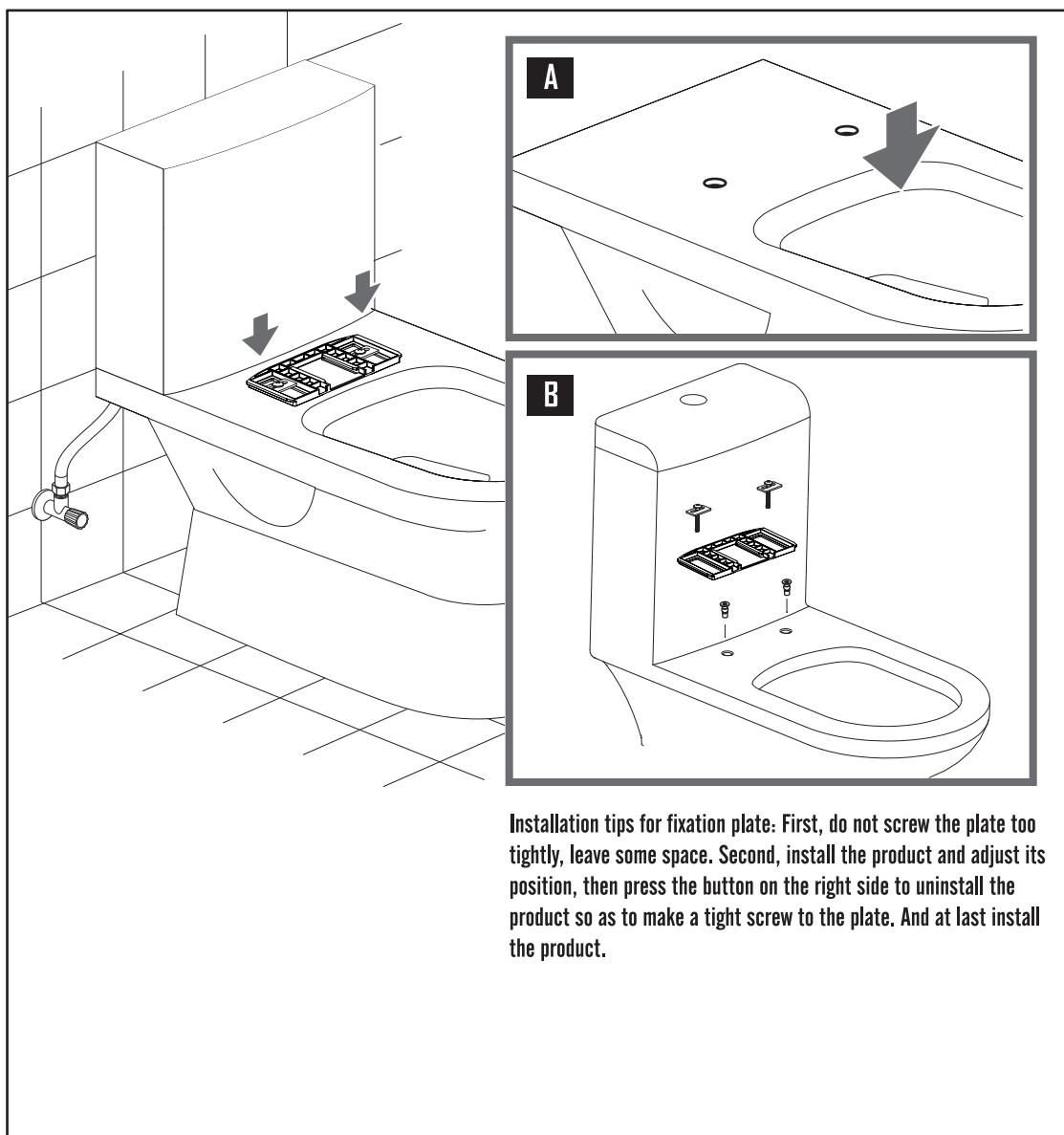
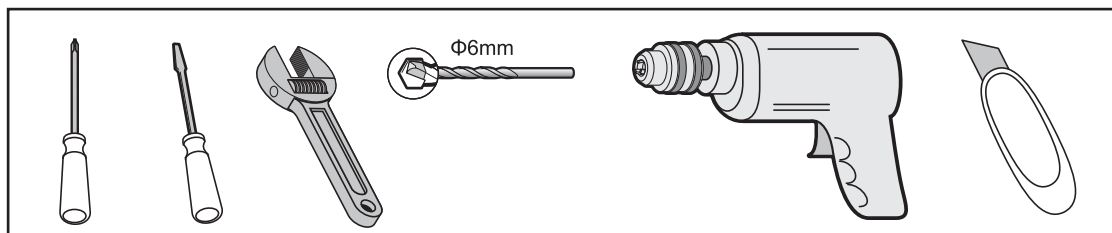
TO REDUCE THE RISK OF ELECTROCUTION:

1. Do not place or store this appliance anywhere where it can fall or be pulled into a bath or sink.
2. If the product falls into the water, please unplug the power supply immediately and do not touch it directly with your hands.
3. Do not reach for the product that has fallen into water. Unplug it immediately.
4. Do not use the product while taking a shower.

WARNING: To reduce the risk of low-temperature burns, electric shocks, fire or personal injuries:

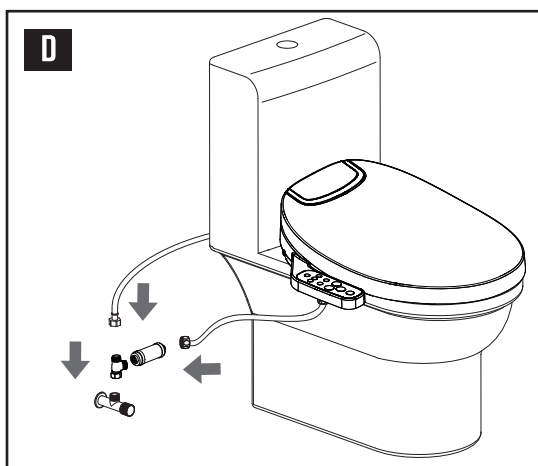
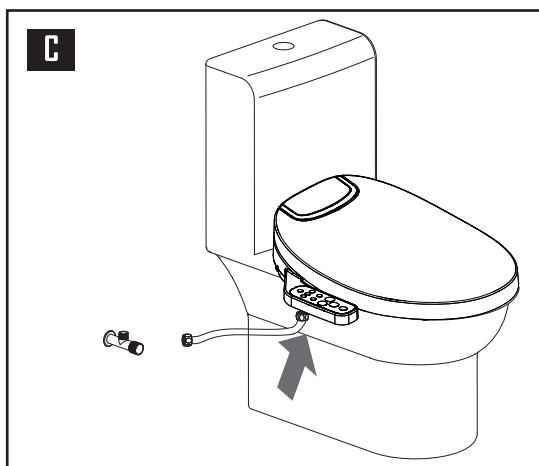
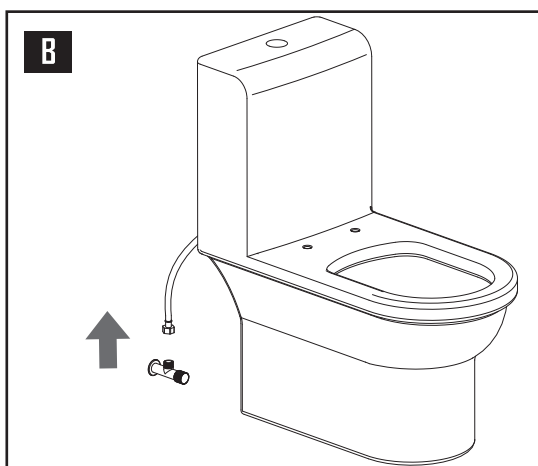
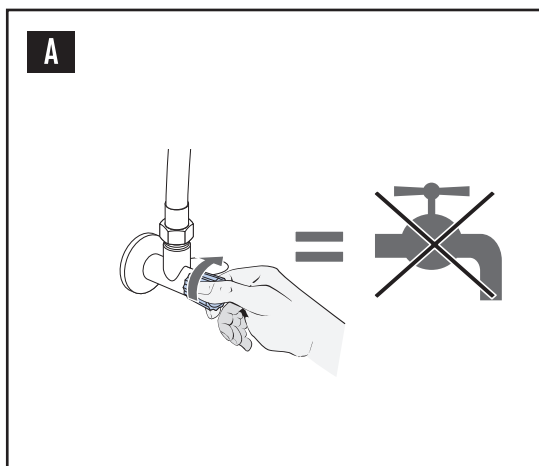
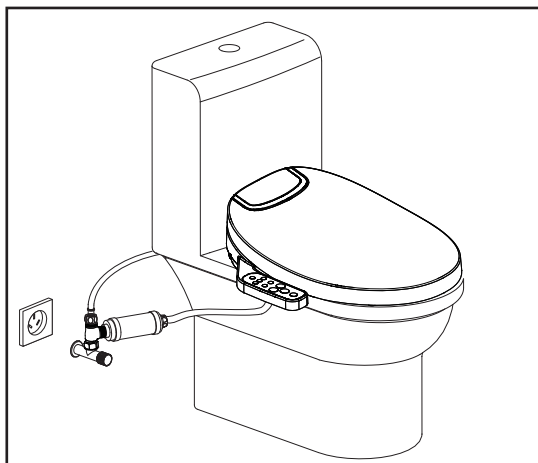
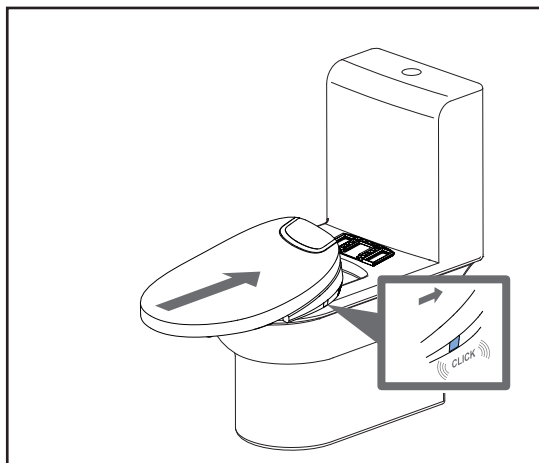
1. Close supervision is necessary when this product is used by children or persons requiring general assistance.
2. Do not leave children unattended in the room when the product is positioned. Kids should not play with the product.
3. Adjust the temperature of the toilet seat for the elderly, handicapped and people with sensitive skin.
4. Use this appliance only for its intended purpose as described in the manual.

Installation(1)



Installation tips for fixation plate: First, do not screw the plate too tightly, leave some space. Second, install the product and adjust its position, then press the button on the right side to uninstall the product so as to make a tight screw to the plate. And at last install the product.

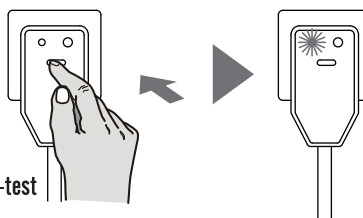
Installation(2)



Installation(3)

Power supply connection and first usage

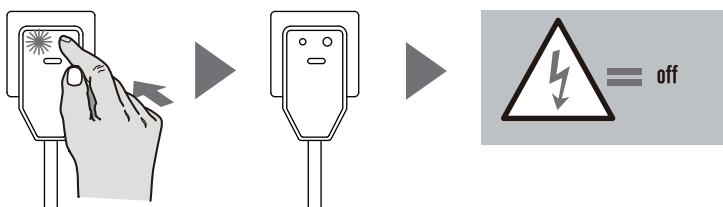
Press the power switch. The light turns on (meaning the power is on as well)



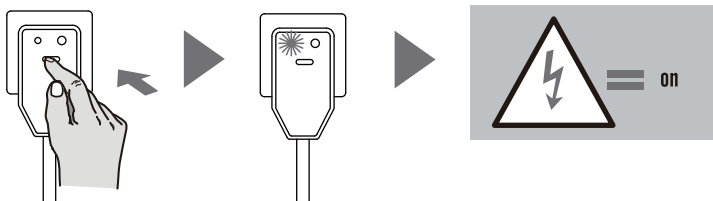
After the power switch is turned on, the water is sent through the unit for self-test procedure. After the test is finished it enters the normal working state.

Leakage Protection Test

Press the leakage test button. If everything is fine with the leak protection, the light will be turned off, meaning the power is off as well. Please test this every month.



By pressing the power switch again, the light will turn on and the power returns to normal.

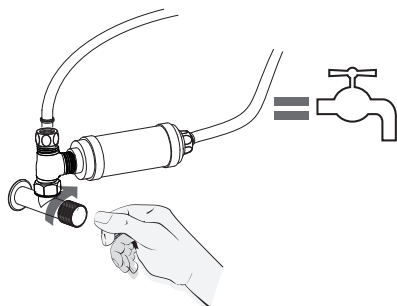


Warning

1. Check if there is any electricity leakage when the switch is out of work.
2. Check for electricity leaking when the switch is out of work.
3. The leakage protection unit cannot replace basic security measures.
4. It is prohibited to test the plug by connecting the live wire directly to the ground line.
5. Leakage protection plug only protects the equipment connected to power by this plug

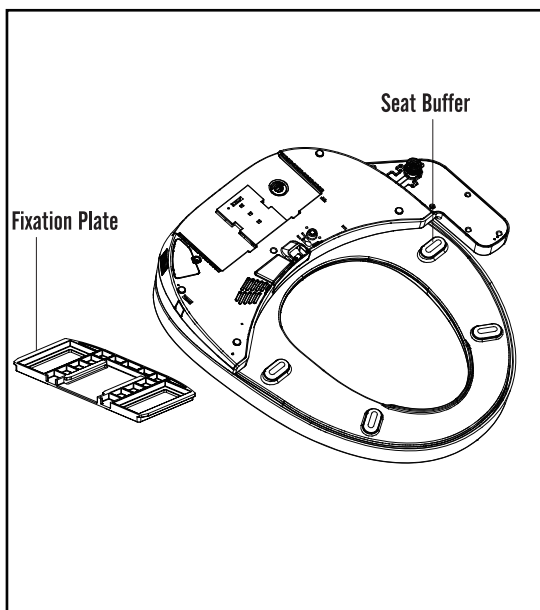
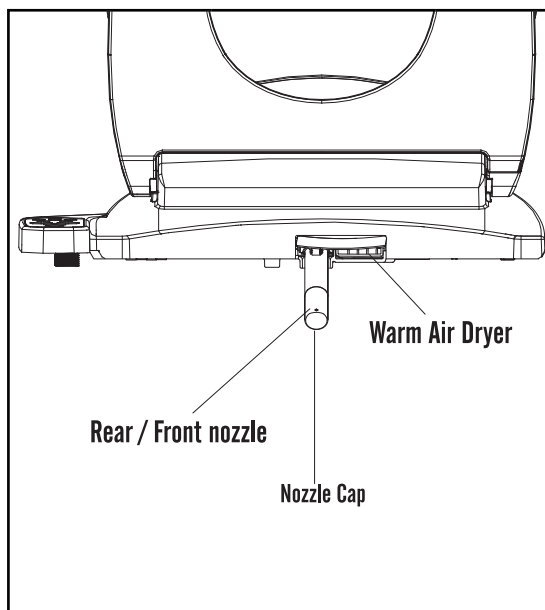
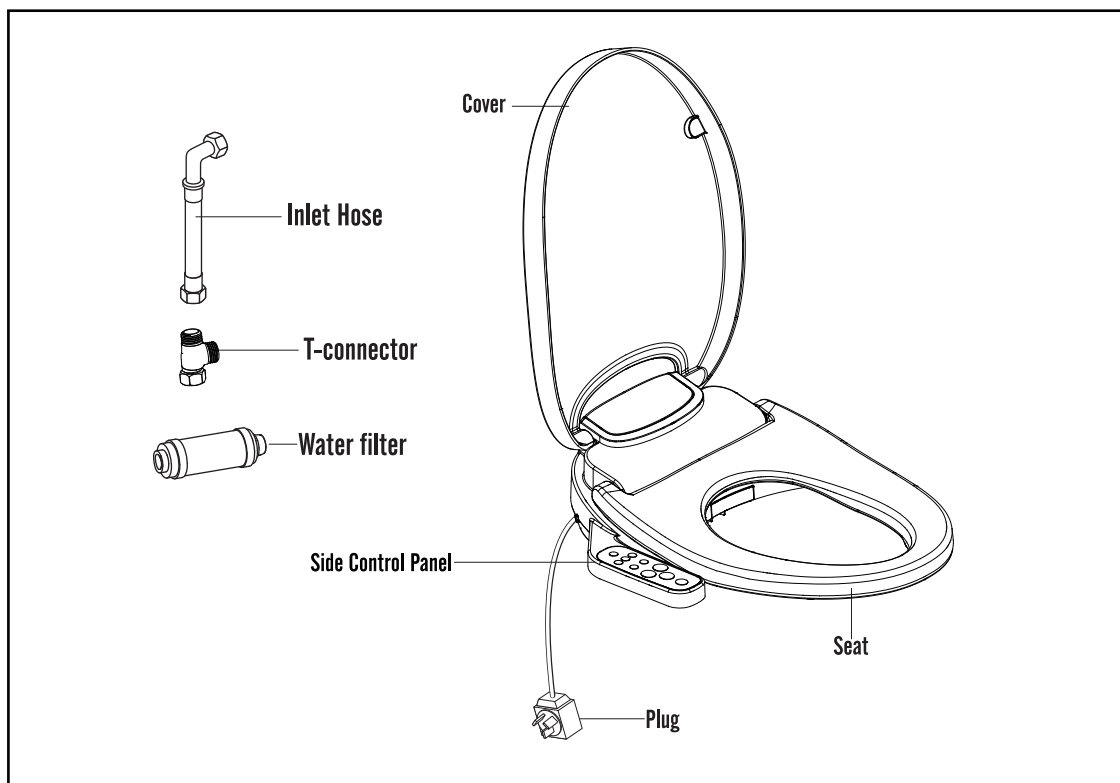
Functionality test

Turn On The Corner Valve

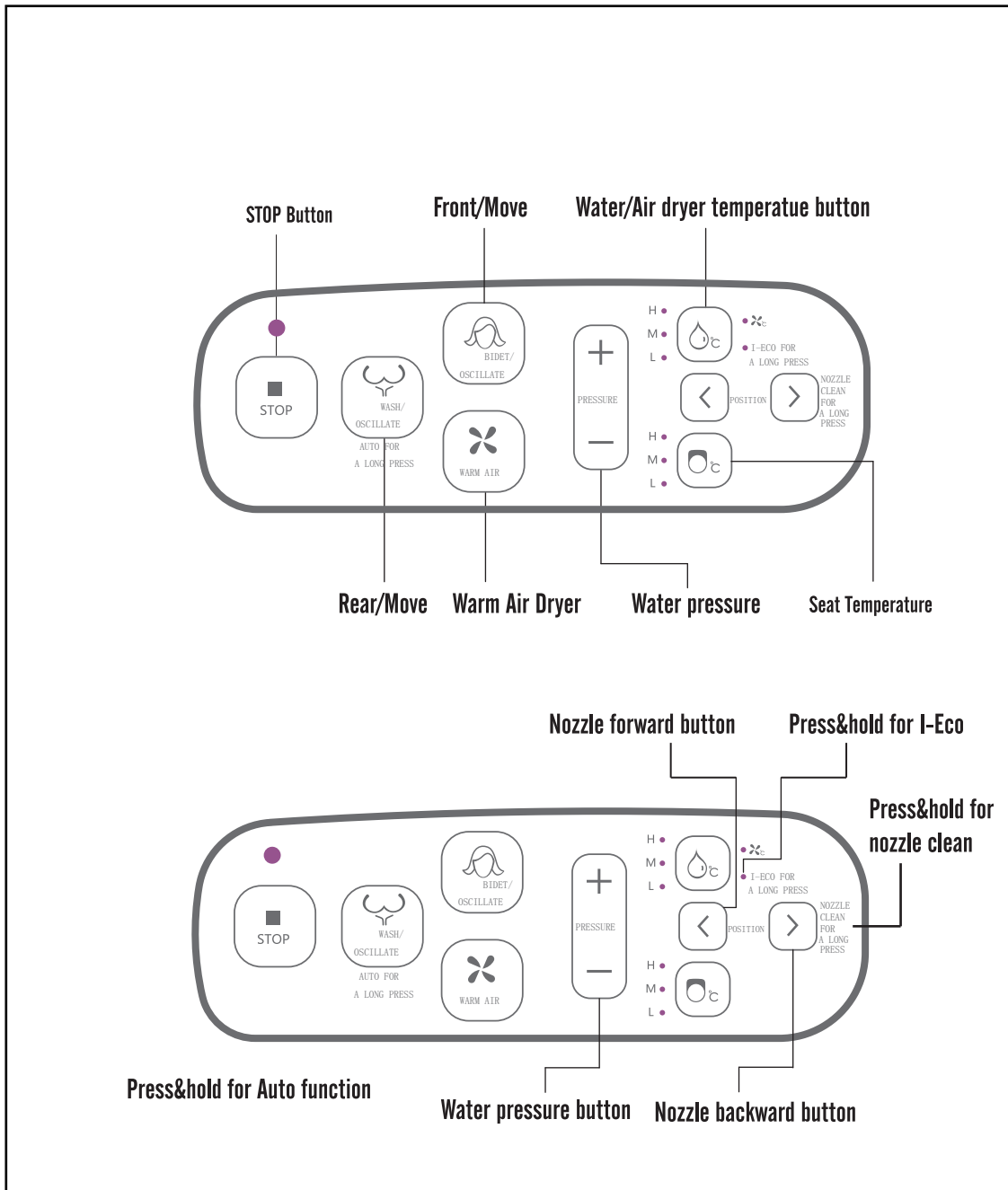


Press the "Rear / Front" button. Check if the nozzle comes out and cleaning is working well.

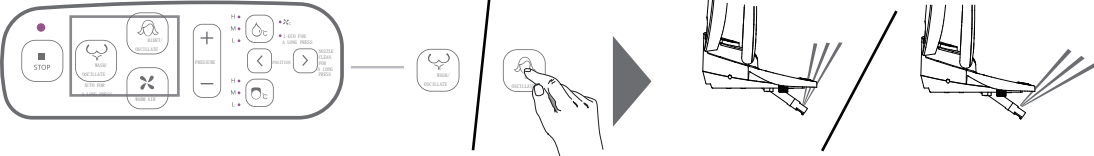
List of installaton parts



Side Control Panel Overview



Rear / Front Operation



Press the "STOP" button to stop; It will stop automatically 3min or when you stand up.

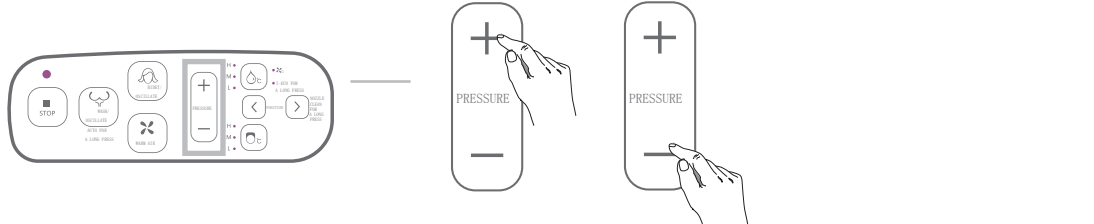
Remarks:
 While "Washing", please keep for 15 seconds, and movable wash for 15 seconds after that, then come to fixed wash.
 While bidet "Washing", please keep for 15 seconds, and movable mode wash for 15 seconds after that, then come to fixed wash.
 Press the "Rear" or "Front" button to start the washing function.
 Press the "Stop" button to stop; The washing procedure will be automatically stopped after 3 minutes or when you leave the seat.

Water Temperature Setting



H	O	H	O	H	O	H	●	H	●
M	O	M	●	M	●	M	●	M	●
L	●	L	●	L	O	L	O	L	O

Water Pressure Setting (under the Rear or Fron mode)



Oscillating Massage Cleaning Mode

Oscillating - move function

1 Press the button Rear/Move or Front/move to start washing.

2 Press the same button to activate the move function.

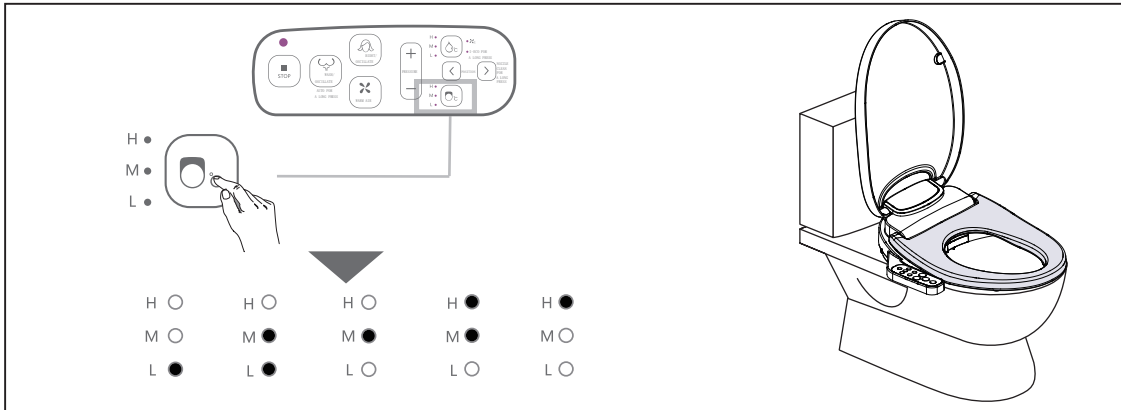
3 Press the same button to stop the move function.

Nozzle Position Setting(In the washing mode)

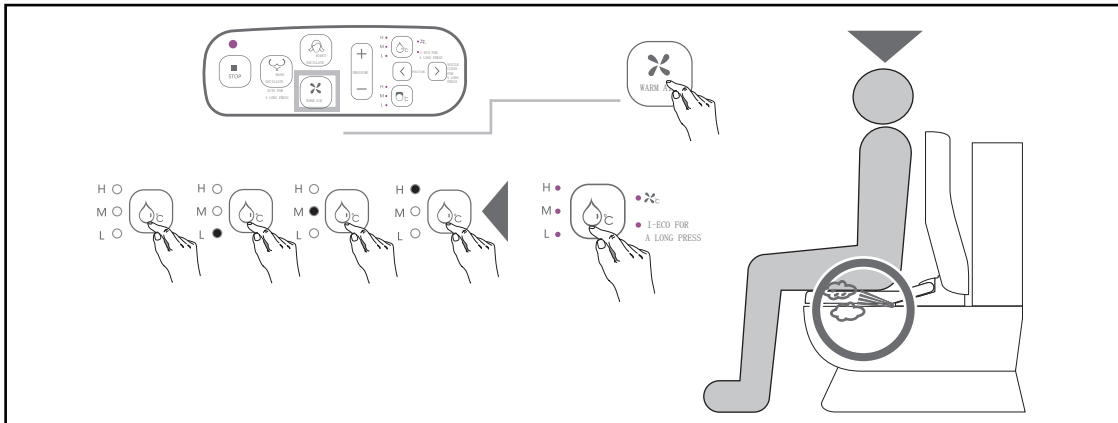
In the washing mode(except for Oscillate washing), press the “<” button, the nozzle move forward. You can adjust it among the 5 levels. Press the “>” button, the nozzle move backward, you can adjust it among the 5 levels.

In the Oscillate washing mode, there are 5 sets to adjust the washing area. Press the “>” button to be decreased, while, the “<” button to be enlarged.

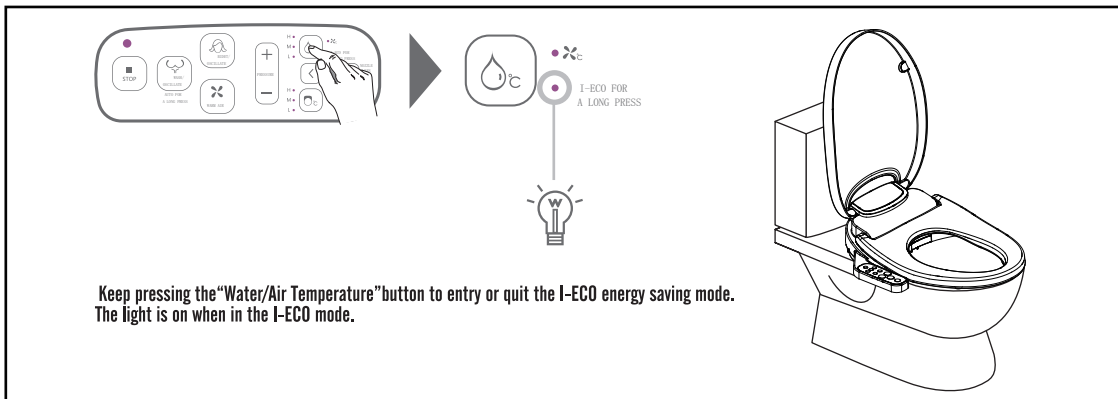
Seat Heating Setting



Warm air Dryer operation

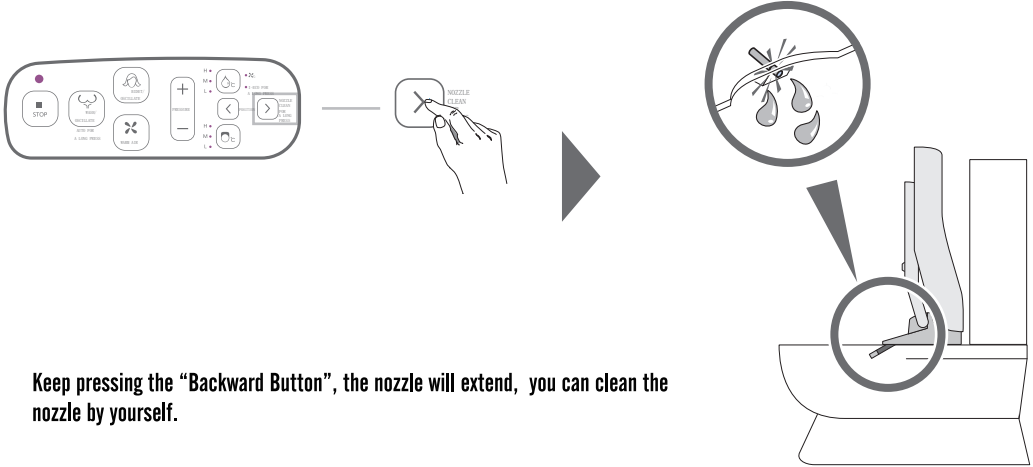


Energy Save Mode I-ECO



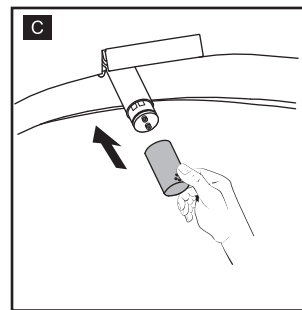
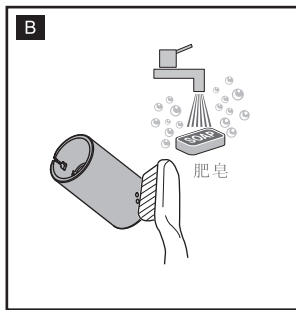
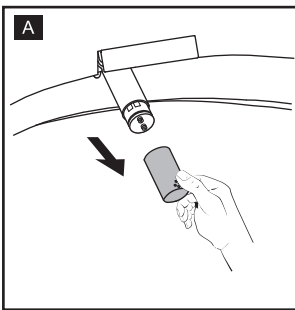
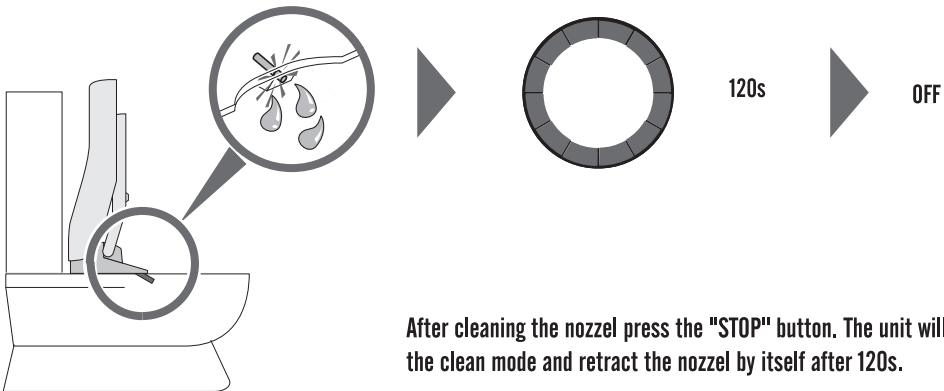
Keep pressing the "Water/Air Temperature" button to entry or quit the I-ECO energy saving mode. The light is on when in the I-ECO mode.

Manual Nozzle Clean Mode



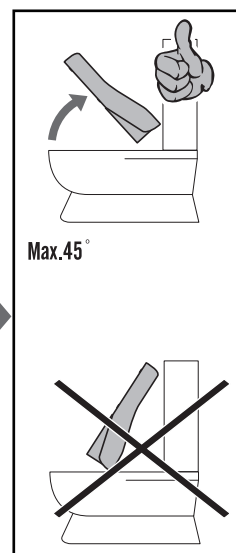
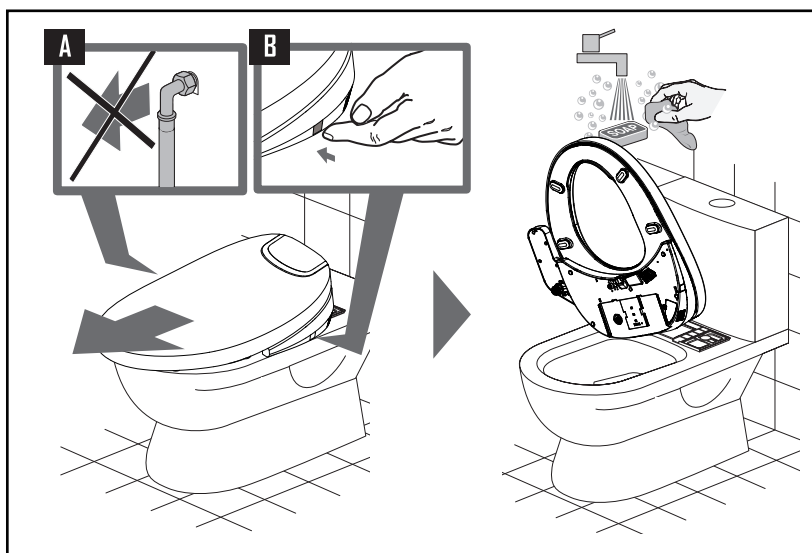
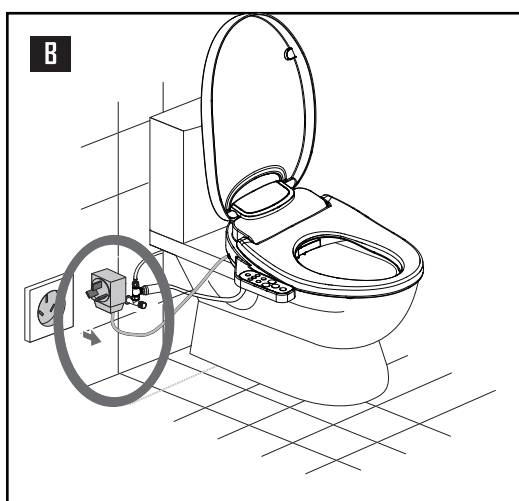
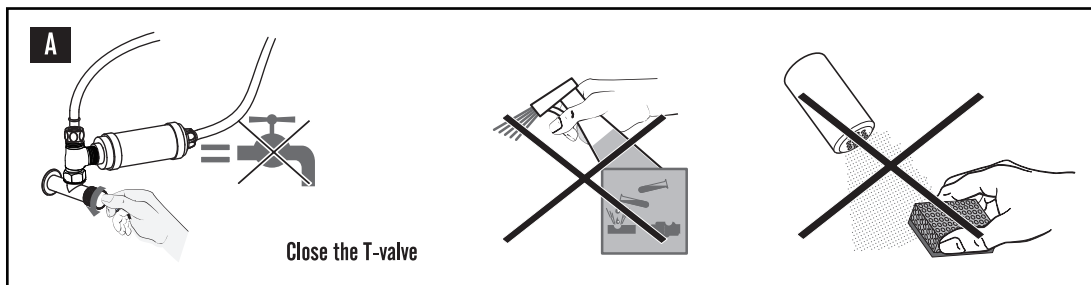
Keep pressing the "Backward Button", the nozzle will extend, you can clean the nozzle by yourself.

Manual cleaning

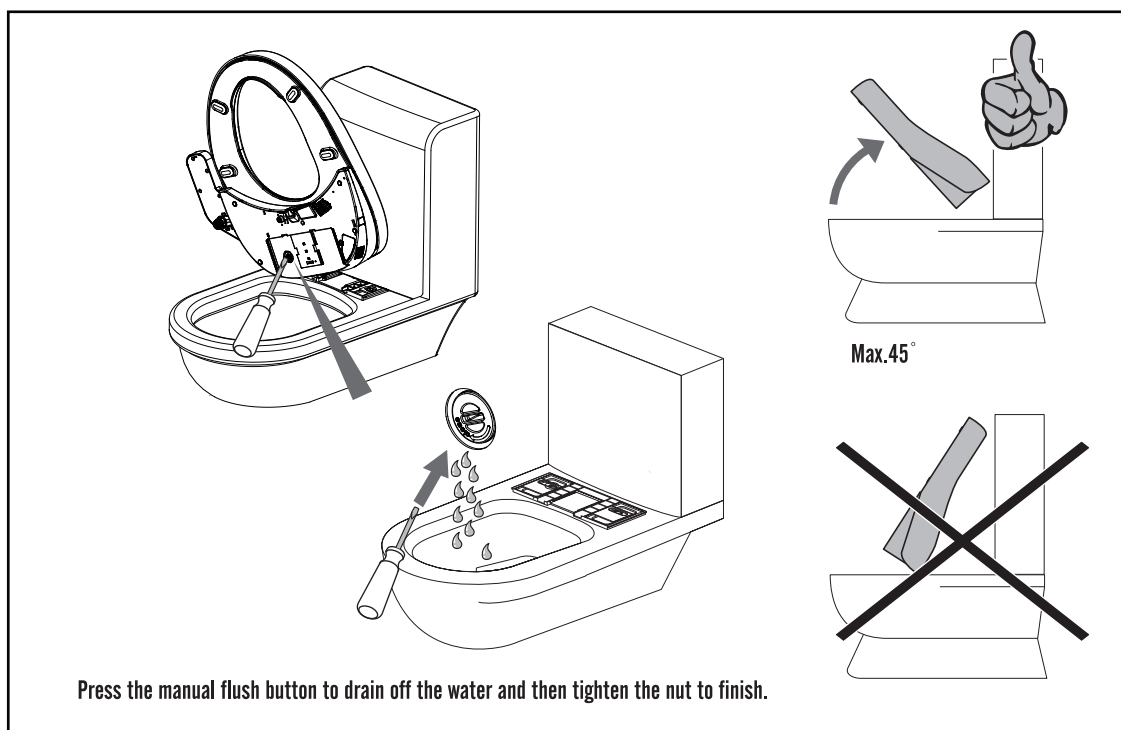
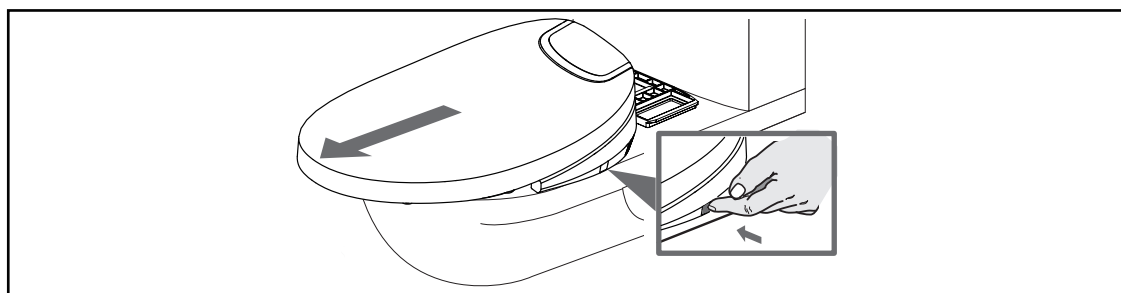
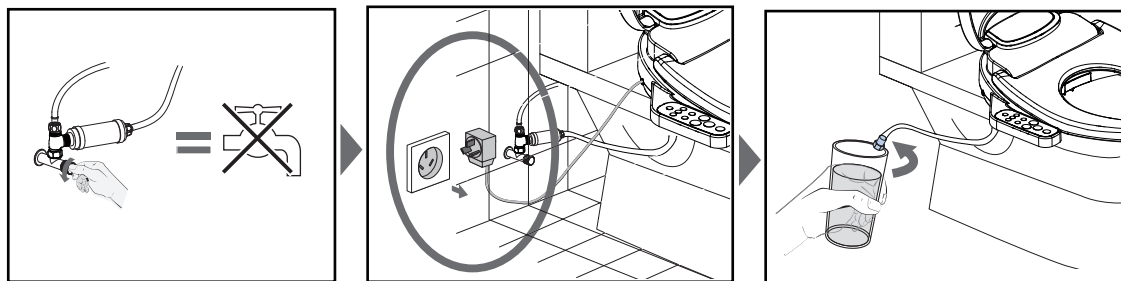



After cleaning the nozzle press the "STOP" button. The unit will stop the clean mode and retract the nozzle by itself after 120s.

Cleaning

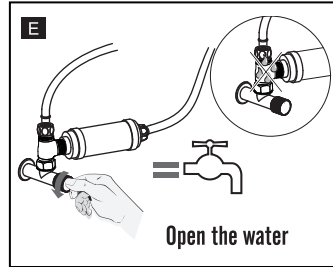
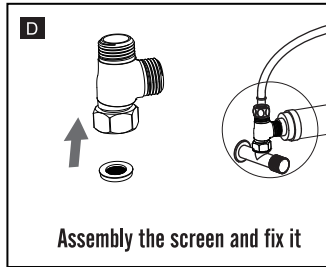
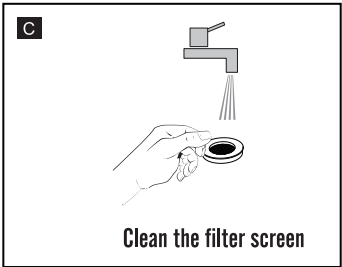
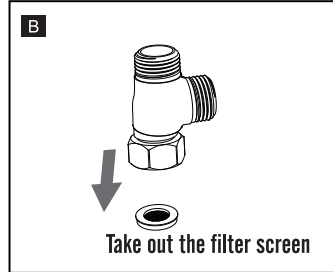
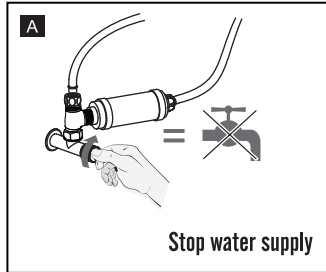
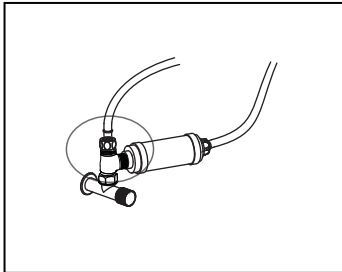


Removing the unit

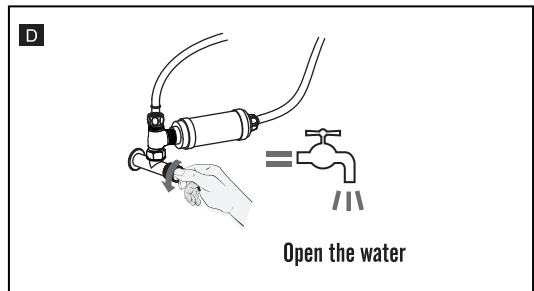
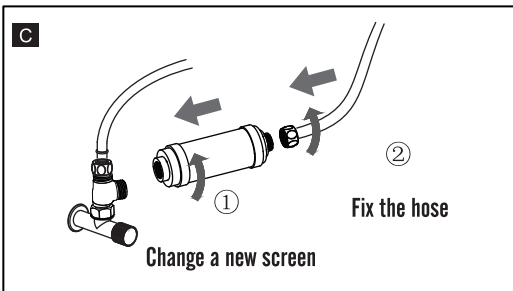
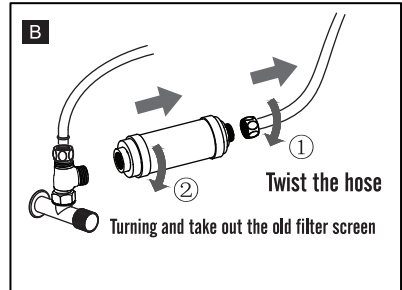
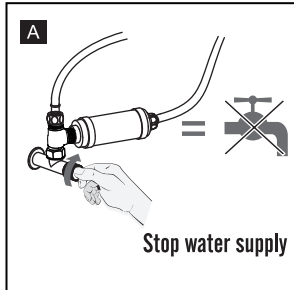
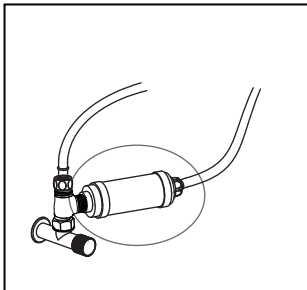


Cleaning the T-connector and replacing the water filter

Cleaning the T-connector



Replacing the water filter



Troubleshooting

FREQUENTLY ASKED QUESTIONS

Please read the following questions carefully and refer to the instructions. If the product still does not work, contact your local sales dealer or dial the service call for help.

Tips:

If there is water leakage, immediately turn off the water, pull out the power plug and switch off the power supply of the appliance.

The following reasons may cause the product's working failure:

1. Check the power supply

(1) Is the power supply working properly?

(2) Is the plug plugged in?

(3) Is the electricity-leakage protection switched off?

(1) Is the water supply working properly?

(2) Is the water supply valve switched off?

2. Check the Water supply

(1) Is water supply working properly?

(2) Is the throttle off?

If the following phenomena occur, cut off the power immediately. Read the content carefully. Contact your local sales dealer or dial the service call for help if needed.

1. Continuous beeping sound of the buzzer which lasts for 3 minutes, with the red indicator light flashing twice every second.

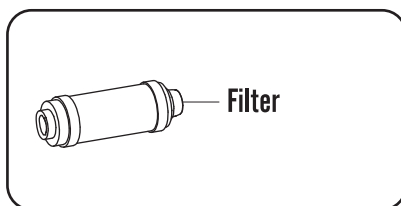
2. The green indicator light is flashing.

3. The power leakage protection switch on the power plug trips frequently.

4. Power leakage protection switch on power plug trips frequently.

Notes

Consumable parts



There might be discrepancy between the manual and real product, please refer to real product. We reserve the right to update the product or its attachment without prior notice.

Troubleshooting

Problem		Cause	Solution
The product is not working		Is the power supply turned off?	Turn on the power supply.
Front / rear wash function	Nozzle extends too slowly	When activating the front or rear wash function, the nozzle will move back for self-cleaning, then moves out for washing. This operation will take several seconds.	This is a normal occurrence.
	Lower water pressure	Is the water flow set on a lower setting?	Press the pressure button to reset into strong mode
		Is the T-valve Filter or the filter blocked?	Clean the T-valve filter or replace the filter.
		Is the connection nut of water supply hose loose? Dose water leak from the hose?	Lock the nuts tightly.
	Low water temperature	Is the water temperature set "low" or "off" status?	Press the water temperature button to reset into "high" or "middle" state.
Nozzle stops to spray water suddenly	After 3 mins for washing, the nozzle will be stop spraying and then retract automatically.	This is a normal occurrence.	
Seat heating	Seat temperature is not warm enough during usage.	Is seat temperature set on "off" or lower status?	Reseat the seat temperature on a higher setting.
	Seat temperature is hot.	Is seat temperature set on higher setting?	Reseat the seat temperature on a lower setting.
Warm air function	Air temperature is not warm enough.	Is warm air temperature set on "off" or lower status?	Reseat the warm air temperature on a higher setting.
Manual nozzle cleaning mode	Nozzle moves back automatically .	Nozzle will move back automatically after 2 minutes from starting nozzle self cleaning mode.	This is a normal occurrence

Importaned indicators and audio warnings

Indicator light on decoration cover and alarm functions	Continuous sound of "beep" from buzzer lasting for 3 minutes , the water temperature indicator light flashes twice every second.	The water temperature is too high; the water is continually emitted from the nozzle holder.	<ol style="list-style-type: none"> 1. Set the water temperature on "off", connect to power and switch on the product again. 2. Please stop using the product and call our service centre. 3.If there is no problems with the above two tips, power off and restart. <p>Note: please stop using immediately and cut the poweroff when the problem can not be solved. Also please contact the local dealer or customer service hotline.</p>
	The seat temperature indicator light flashes once every second.	Function failure.	Please cut the power off and stop using the product and then connect local serv-ice center or call service hotline.
	Power leakage protection switch on power plug trips frequently .	Current leakage exceeds limit.	Please cut the power off and stop using the product and then connect local serv-ice center or call service hotline.

Warranty Card

2 YEAR COMMERCIAL WARRANTY

The scope of this warranty is as follows:

1. MARO guarantees that the product shall be free from material defects and manufacturing faults for a period of 2 years ("warranty period") calculated from the date of purchase.

Warranty scope: Within the warranty period, a customer service representative authorised by MARO shall rectify any material defects or manufacturing faults free of charge by repairing or replacing the defective parts. The end user shall not be entitled to assert more extensive claims against MARO on the basis of this warranty.

2. Claims can only be made under the warranty if:

- The product has been installed according to the instructions
- No modifications have been made to the product; in particular, no parts have been removed, replaced or added; and
- The product defect has not been caused by improper installation or use, nor can it be attributed to inadequate care or maintenance;

3. Maro D'Italia is not responsible for the cost of removal, return (shipping) and/or reinstallation of products. This warranty does NOT apply to:

- MARO as manufacturer will not be responsible for any quality or malfunction issue caused by quality of the feed water.
- Damage of loss sustained through any natural or manmade causes beyond the control of Maro D'Italia, including but not limited to fire, earthquake, floods, etc.
- Damage or loss resulting from sediments or foreign matter contained in a water system. Including damage resulting from limescale.
- Damage or loss resulting from installation of a unit in a harsh or hazardous environment.
- Damage or loss resulting from improper maintenance including damage caused by chlorine or chlorine related products.
- Damage or loss resulting from electrical surges, electrical outages, lightning strikes or other acts which are not the fault of Maro D'Italia or which the Product is not specified to tolerate.

4. The warranty is exclusively subject to the substantive law of the country in which MARO has its place of business. The following MARO products are covered by mandatory warranty for a period of two years from the date of purchase by the original end user customer. In the event a product has been discontinued, MARO, at its sole discretion, shall either repair the product, offer to replace it with a comparable product or provide a refund at the lesser of the purchase price or the product's current value. Repaired or replacement products will continue to be covered by this mandatory warranty for the remainder of the original warranty term or ninety (90) days, whichever is longer. This mandatory warranty applies only to the original end user customer for the term of the product warranty described herein. This mandatory warranty is non-transferable.

Date of purchase:

Place of purchase:

Serial number:

Customer name:

maro
D'Italia 